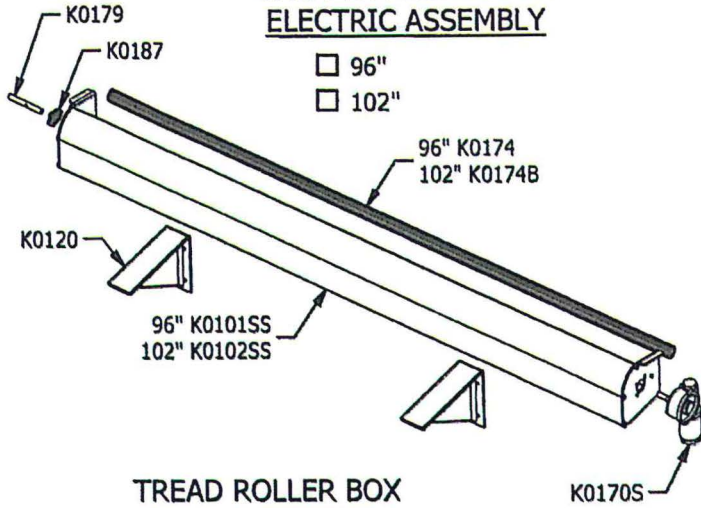


FLIP TARP ASSEMBLY FOR FRONT MOUNT TRAILERS UNDER 29' MANUAL & ELECTRIC

SMOOTH ROLLER BOX ELECTRIC ASSEMBLY



- 96"
- 102"

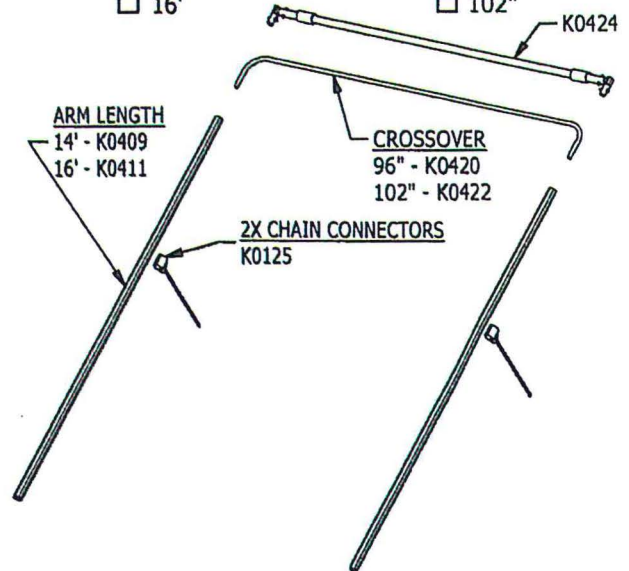
ARM AND CROSSOVER ASSEMBLY

ARM

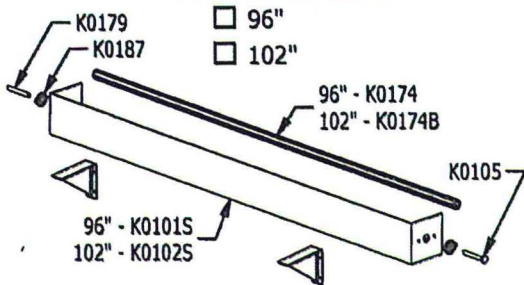
- 14'
- 16'

CROSSOVER

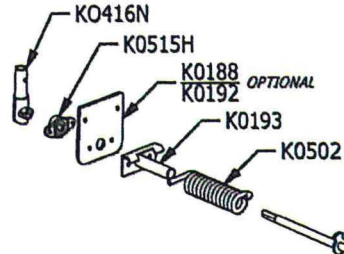
- 96"
- 102"



TREAD ROLLER BOX MANUAL ASSEMBLY

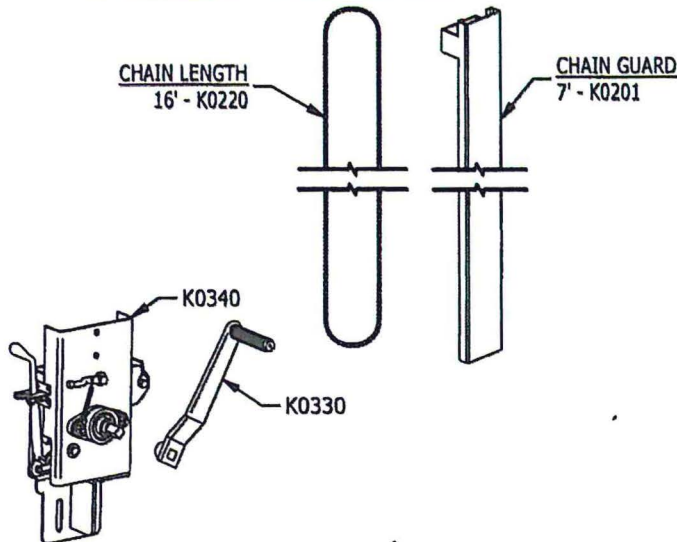


- 96"
- 102"



SPRING AND SHAFT ASSEMBLY

CHAIN AND GEARBOX ASSEMBLY



COLD ROLL LENGTH
14.5" - K0522C

OPTIONS

DROP PLATES FOR UNDER THE RAIL SPRING ASSEMBLY <input type="checkbox"/> K0188S - ALUMINIUM SET <input type="checkbox"/> K0192S - STEEL SET		FIVE PIECE CROSSOVER <input type="checkbox"/> K0424	
WIRELESS REMOTE <input type="checkbox"/> MPW1000	MANUAL BACKUP <input type="checkbox"/> K0163	LADDER <input type="checkbox"/> K02010	BENT ARMS:

PART #	KIT DESCRIPTION	PRICE	PART #	KIT DESCRIPTION	PRICE
K614TM	21' TO 24' TRAILER MANUAL 96"		K616TM	25' TO 28' TRAILER MANUAL 96"	
K614TE	21' TO 24' TRAILER ELECTRIC 96"		K616TE	25' TO 28' TRAILER ELECTRIC 96"	
K014TM	21' TO 24' TRAILER MANUAL 102"		K016TM	25' TO 28' TRAILER MANUAL 102"	
K014TE	21' TO 24' TRAILER ELECTRIC 102"		K016TE	25' TO 28' TRAILER ELECTRIC 102"	