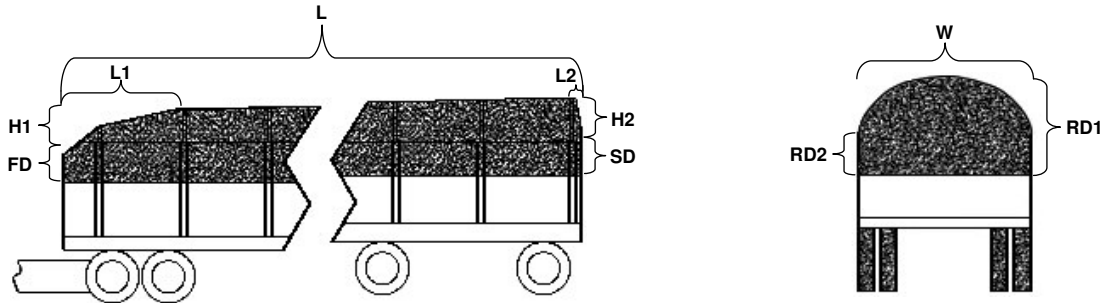




SIDE KIT ORDER FORM

800 • 248 • 7717 F: 606 • 248 • 2077



DIMENSIONAL DATA

Type of nose (check one): Square Angled Round

Exact length of the side kit, from front of bulkhead to back edge of last stake (L): _____

Distance from the front edge of the bulkhead to the second bow (L1): _____ in.

Distance from the back of the trailer to the rear bow (L2): _____ in.

Height of second bow (H1): _____ in. Height of rear bow (H2): _____ in.

Amount of drop desired for the front of the tarp (FD): _____ in.

Amount of drop desired for the tarp on the sides of the trailer (SD): _____ in.

Amount of drop desired on rear of tarp from the top of the rear bow (RD1): _____ in.
 or the amount of drop desired from the top of the side board in the rear (RD2): _____ in.

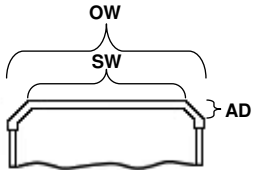
Width of the trailer (W): _____

If your trailer has an angled front, please complete the following information.

Overall width of bulkhead (OW): _____ in.

Straight width of bulkhead (SW): _____ in.

Angle depth straight back from front of trailer (AD): _____ in.



Customer Name: _____ Phone No.: (____) _____ Date: _____

Contact Name: _____ Do you want a fitted rear? _____

Tarp Color(s): _____ Stenciling to read: _____

Special Instructions: _____

This is a (check one): Purchase Order Quote Request

Purchase Order No.: _____ Signature: _____