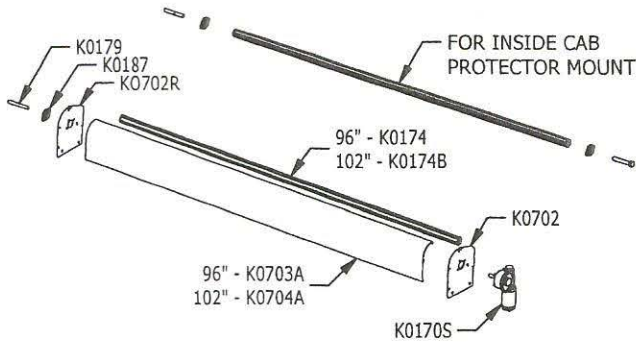


FLIP TARP ASSEMBLY FOR DUMP BODIES WITH SIDE MOUNT SPRING ASSEMBLY MANUAL & ELECTRIC

FACE SHIELD & END PLATES ELECTRIC ASSEMBLY

- 96"
- 102"

*OPTIONAL
FOR TOP MOUNT APPLICATION*



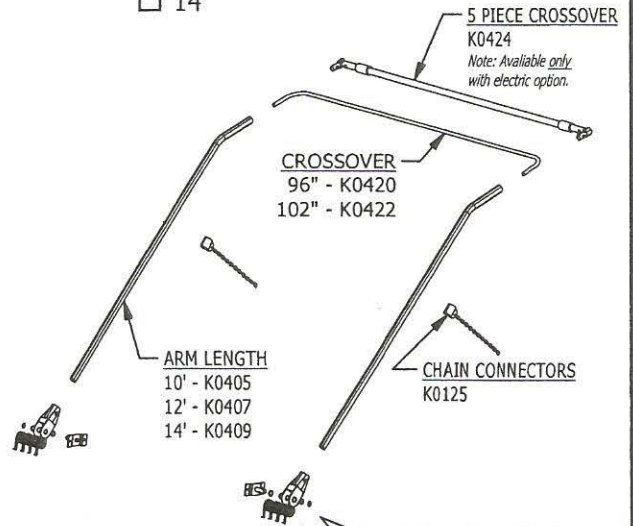
ARM AND CROSSOVER ASSEMBLY

ARM

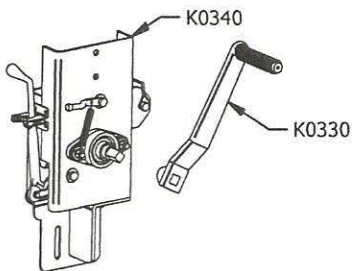
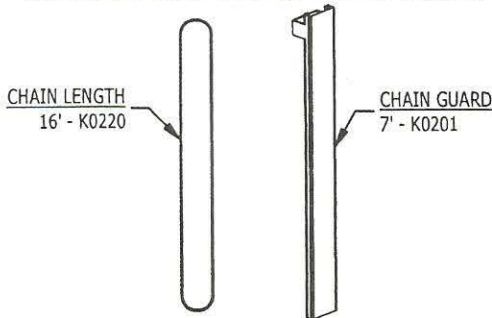
- 10'
- 12'
- 14'

CROSSOVER

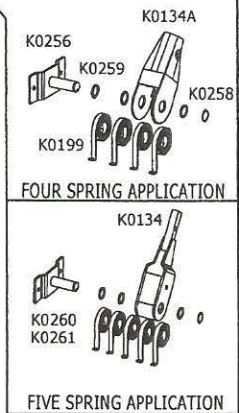
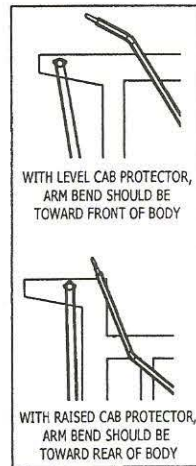
- 96"
- 102"



CHAIN AND GEARBOX ASSEMBLY



*OPTIONAL
4-SPRING COVER
K0134C*



OPTIONS

<p><u>PIVOT PIN</u></p> <ul style="list-style-type: none"> <input type="checkbox"/> K0526 - FOUR SPRING APPLICATION <input type="checkbox"/> K0527 - FIVE SPRING APPLICATION 	<p><u>FIVE PIECE CROSSOVER</u> ELECTRIC OPTION ONLY</p> <ul style="list-style-type: none"> <input type="checkbox"/> K0424 	<p><u>4' CHAIN CONNECTORS</u></p> <ul style="list-style-type: none"> <input type="checkbox"/> K0125BD 	<p><u>WIRELESS REMOTE</u></p> <ul style="list-style-type: none"> <input type="checkbox"/> MPW1000
<p><u>5-SPRING SIDE MOUNT ASSEMBLY</u></p> <ul style="list-style-type: none"> <input type="checkbox"/> K0260 - DRIVER <input type="checkbox"/> K0261 - PASSENGER 	<p><u>TENSION HOOP</u></p> <ul style="list-style-type: none"> <input type="checkbox"/> G1665A 	<p><u>4 SPRING COVER</u></p> <ul style="list-style-type: none"> <input type="checkbox"/> K0134C 	<p><u>BENT ARMS:</u></p>

PART #	KIT DESCRIPTION	PRICE	PART #	KIT DESCRIPTION	PRICE