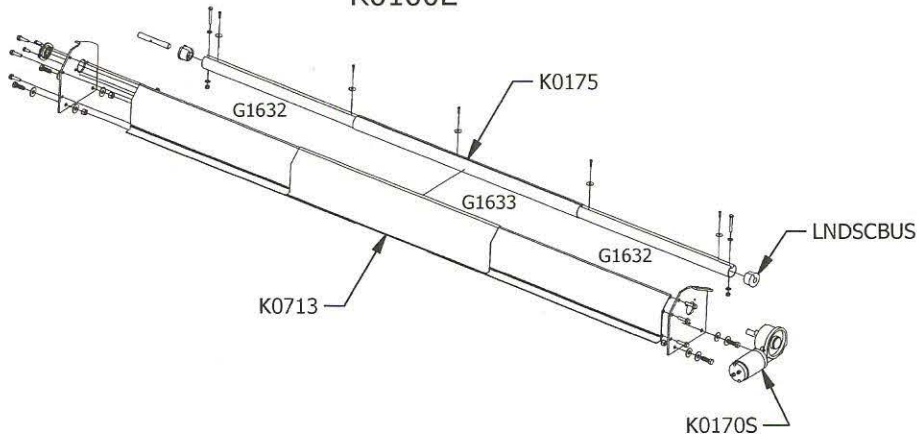
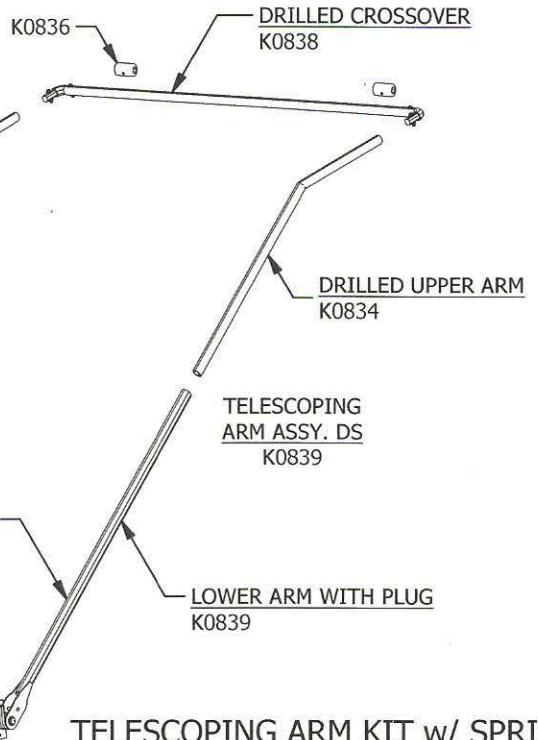


FLIP TARP TELESCOPING ASSEMBLY FOR DUMP BODIES

TELESCOPING ROLLER BOX ELECTRIC ASSEMBLY K0100E

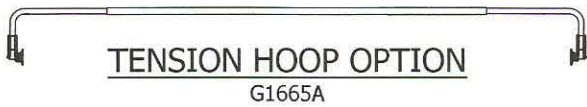


TELESCOPING CROSSOVER K0844



- BEND**
- 1'
 - 2'
 - 3'

TELESCOPING ARM KIT w/ SPRINGS K0845C



OPTIONS	
<u>TENSION HOOP</u>	<u>WIRELESS REMOTE</u>
<input type="checkbox"/> G1665A	<input type="checkbox"/> MPW1000

PART #	KIT DESCRIPTION	PRICE	PART #	KIT DESCRIPTION	PRICE