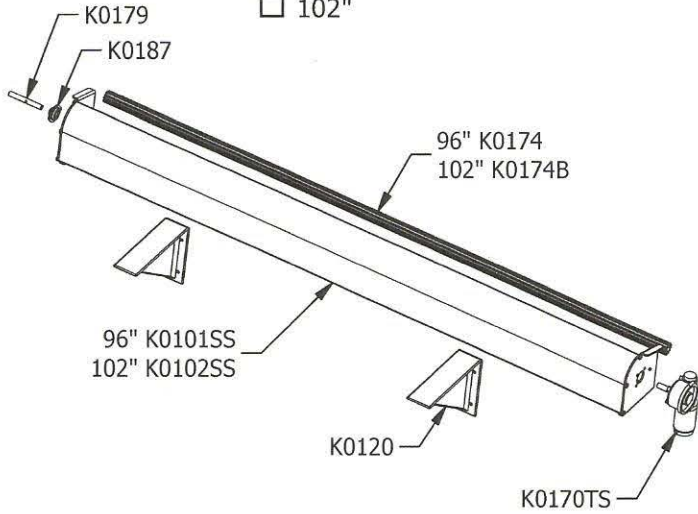


# TOP MOUNT FLIP TARP ASSEMBLY FOR OPEN TOP TRAILERS

## SMOOTH ROLLER BOX ELECTRIC ASSEMBLY

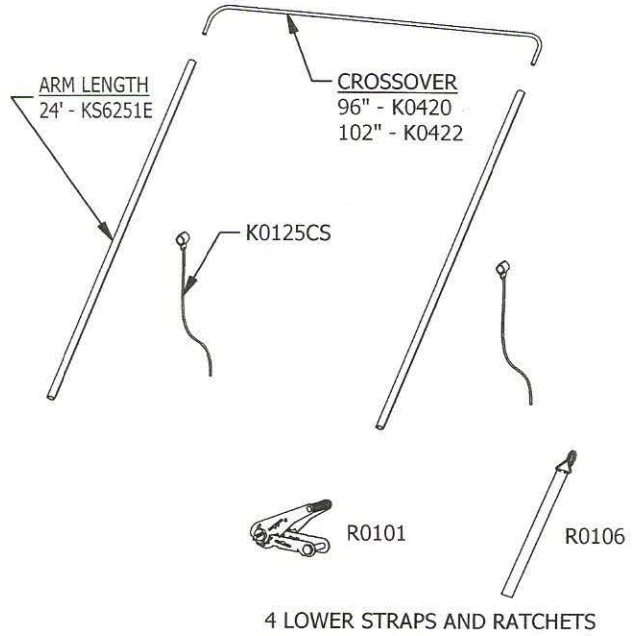
- 96"
- 102"



## ARM AND CROSSOVER ASSEMBLY

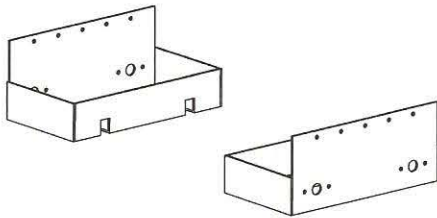
### CROSSOVER

- 96"
- 102"

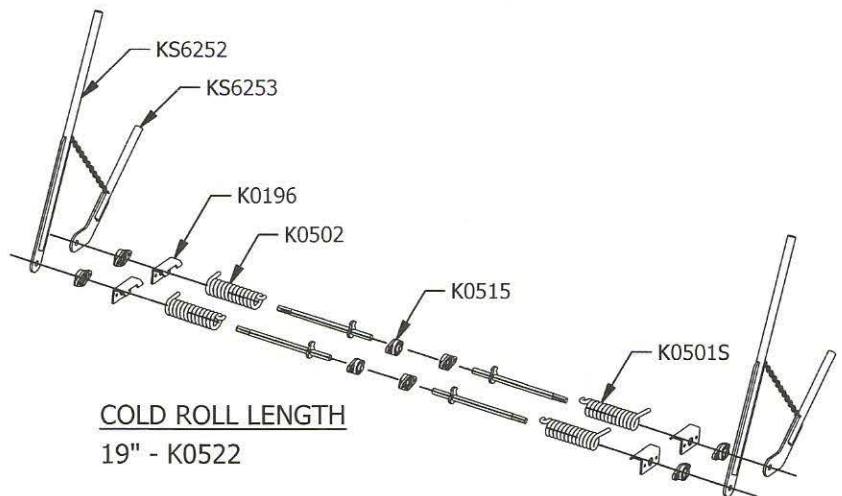


## (OPTIONAL) SPRING HOUSING

- LEFT - K0509H
- RIGHT - K0508H



## SPRING AND SHAFT ASSEMBLY



## OPTIONS

### WIRELESS REMOTE

- MPW1000

PART #	KIT DESCRIPTION	PRICE	PART #	KIT DESCRIPTION	PRICE
K624DDE	OPEN TOP TRAILER ELECTRIC 96"		K024DDE	OPEN TOP TRAILER ELECTRIC 102"	